

## P6010 AVM™2



- ▶ COAX® P6010 multistage ejector with Pi, Si or Xi vacuum cartridge(s).
- ▶ AVM™2, Automatic Vacuum Management, unit with built-in control and monitoring functions.
- ▶ Valves for vacuum on/off and blow-off.
- ▶ Special safety feature for the version with normally closed on/off valve. It changes to an open valve if power is lost (E-stop).
- ▶ Analogue vacuum sensor with two digital outputs, 16 pre-set combinations of signal levels to choose from.
- ▶ Digital display with “-kPa” or “-inHg” as unit options.
- ▶ Integrated energy saving function (ES) that minimizes the air consumption in sealed systems. The ES function can be activated manually or via a signal (signal override).
- ▶ Three-colour LED status indicators for valves, signal outputs and ES.
- ▶ On AVM™2 units for P6010, there is an option to blow from a separate port to maximize blow-off efficiency in the vacuum system.

### Technical data

Description	Unit	Value
Feed pressure, max.	MPa	0.7
Noise level, range	dBA	50–70
Material		Al, PA, NBR, SS, PMMA, TPE
Temperature range	°C	0–50
Weight, range	g	2000–2100
Signal range, adjustable	-kPa	20–80
Hysteresis	kPa	7±1
Voltage	VDC	24 (22–28)
Safety classification		IP65 [NEMA 4]
Current, max. output load	mA	100
Humidity	%RH	90
Current consumption, nominal	mA	110
Ripple, max.	V <sub>p</sub>	1 V <sub>rms</sub>
Display		LED indicators, numeric
Flow, blow-off	l/s	0–7.5

### Technical data, specific

Description	Value	
	LU, LW, MA, MC (P6010 Code)	LV, LX, MB, MD (P6010 Code)
Function, on/off	NO	NC

### Performance tables

Depending upon choice of COAX® cartridge, applicable performance data of the P6010 AVM™2 can be found in the tables for vacuum flow and evacuation time for models P6010 Pi, Si and Xi.

### Ordering information

<b>1. Housing</b>	<b>P6010 Code</b>
Housing	P6010
<b>2. COAX® cartridge modules</b>	<b>P6010 code</b>
COAX® cartridge module Pi48-3X1, non-return valve	AN
COAX® cartridge module Pi48-3X2, non-return valve	AO

2. COAX® cartridge modules	P6010 code
COAX® cartridge module Pi48-3X3, non-return valve	AP
COAX® cartridge module Pi48-3X4, non-return valve	AQ
COAX® cartridge module Si32-3X1, non-return valve	AF
COAX® cartridge module Si32-3X2, non-return valve	AG
COAX® cartridge module Si32-3X3, non-return valve	AH
COAX® cartridge module Si32-3X4, non-return valve	AI
COAX® cartridge module Xi40-3X1, non-return valve	AV
COAX® cartridge module Xi40-3X2, non-return valve	AW
COAX® cartridge module Xi40-3X3, non-return valve	AX
COAX® cartridge module Xi40-3X4, non-return valve	AY

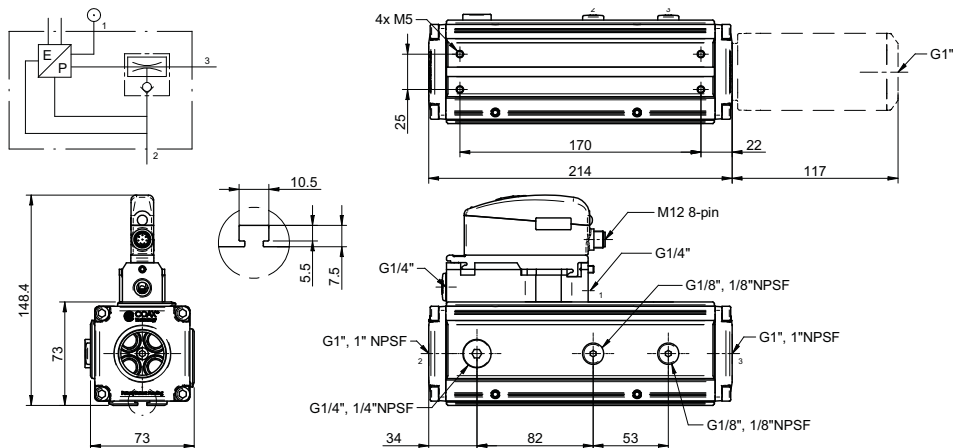
3. Mounting	P6010 Code
Mounting T-slot, Cover plate with PIAB label	01

4. Cover plates	P6010 Code
Function AVM™2 NO, cover plate G thread connections	LU
Function AVM™2 NC, cover plate G thread connections	LV
Function AVM™2 NO, cover plate NPSF thread connections	LW
Function AVM™2 NC, cover plate NPSF thread connections	LX
Function AVM™2 NO, cover plate G thread connections, separated blow-off	MA
Function AVM™2 NC, cover plate G thread connections, separated blow-off	MB
Function AVM™2 NO, cover plate NPSF thread connections, separated blow-off	MC
Function AVM™2 NC, cover plate NPSF thread connections, separated blow-off	MD

NO = Normally open valve for vacuum on/off, NC = Normally closed valve for vacuum on/off.

5. Select Connections for vacuum and exhaust	P6010 Code
Connections 2x G1"	51
Connections 2x G1", silencer 1"	52
Connections 2x G3/4"	53
Connections 2x G3/4", silencer 3/4"	54
Connections 2x 1" NPSF	55
Connections 2x 1" NPSF, silencer 1"	56
Connections 2x 3/4" NPSF	57
Connections 2x 3/4" NPSF, silencer 3/4"	58

Example	Ordering number
P6010 Si32-3X2, non-return valve, Mounting T-slot, Cover plate with AVM™2 NO function and G-threads, Connections 2x G1" and silencer 1"	P6010 AG 01 LU 52



## Ordering information, accessories

Description	Art. No.
Silencer G1"	0112499
Silencer 1" NPSF	0113003
Manometer 1 MPa	0112532
Cable M12 8-pin female, PUR, L=2m	0110238
Cable M12 8-pin female, PUR, L=5m	0117746
Y-cable M12 8-pin female, 2xM12 4-pin male, PNP, PUR, L=2m	0118407
Y-cable M12 8-pin female, 2xM12 5-pin male, NPN, PUR, L=2m	0120229
Y-cable MIL 18-pin male, 2xM12 8-pin female, PNP, L=0.3m	0113248