

## P6010



- ▶ Patented COAX® technology.
- ▶ Available with a three-stage COAX® cartridge MIDI. Choose an Si cartridge for extra vacuum flow, a Pi cartridge for high performance at low feed pressure or an Xi cartridge when high flow and deep vacuum is needed.
- ▶ Substantially lower air consumption as compared to conventional ejectors.
- ▶ Modular design.
- ▶ Available with multiple connection alternatives.
- ▶ Low noise level.
- ▶ Short evacuation time.

Supplied with a vacuum gauge.

### Technical data

Description	Unit	Value
Feed pressure, max	MPa	0.7
Noise level*	dBA	60–67
Temperature range	°C	-10–80
Weight	g	1700–1800
Material		Al, PA, NBR, SS, TPE

\*At vacuum level 40 -kPa and feed pressure 0.3 MPa.

### Vacuum flow

COAX® cartridge	Feed pressure MPa	Air consumption NI/s	Vacuum flow (NI/s) at different vacuum levels (-kPa)										Max vacuum -kPa
			0	10	20	30	40	50	60	70	80	90	
Pi48-3	0.30	2.0	5.6	2.5	1.8	1.1	0.65	0.50	0.35	0.25	0.10	—	90
Si32-3	0.60	1.75	6.0	3.5	2.6	1.7	0.90	0.60	0.50	0.35	—	—	75/52*
Xi40-3	0.45	1.83	5.9	3.0	2.0	1.3	0.73	0.58	0.43	0.32	0.18	0.03	95/51*

Values for one COAX® cartridge. Multiply with number of cartridges. For vacuum flows at other feed pressures, see section Vacuum cartridges/integration.

\* COAX® cartridge module, 1x flap valve

### Evacuation time

COAX® cartridge	Feed pressure MPa	Air consumption NI/s	Evacuation time (s/l) to reach different vacuum levels (-kPa)										Max vacuum -kPa
			10	20	30	40	50	60	70	80	90		
Pi48-3	0.30	2.0	0.020	0.060	0.12	0.25	0.45	0.70	1.0	1.6	4.0	90	
Si32-3	0.60	1.75	0.020	0.050	0.10	0.18	0.33	0.53	0.80	—	—	75/52*	
Xi40-3	0.45	1.83	0.022	0.062	0.12	0.22	0.37	0.57	0.84	1.2	2.2	95/51*	

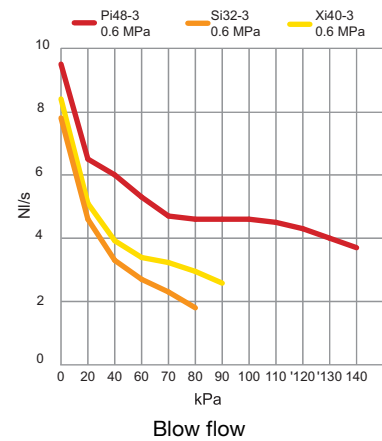
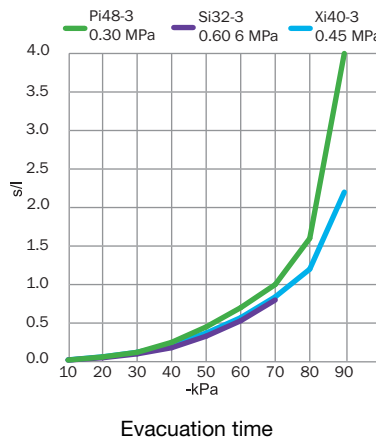
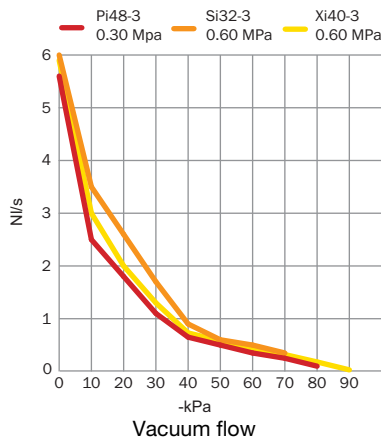
Values for one COAX® cartridge. Divide with number of cartridges. For evacuation times at other feed pressures, see section Vacuum cartridges/integration.

\* COAX® cartridge module, 1x flap valve

## Blow flow

COAX® cartridge	Feed pressure MPa	Air consumption NI/s	Blow flow (NI/s) at different pressure levels (kPa)													Max pressure kPa
			0	20	40	60	70	80	90	100	110	120	130	140		
Pi48-3	0.6	3.55	9.5	6.5	6.0	5.3	4.7	4.6	4.6	4.6	4.5	4.3	4.0	3.7	140	
Si32-3	0.6	1.75	7.8	4.6	3.3	2.7	2.3	1.8	—	—	—	—	—	—	80	
Xi40-3	0.6	2.33	8.4	5.1	3.92	3.39	3.23	2.95	2.58	—	—	—	—	—	90	

Values for one COAX® cartridge. Multiply with number of cartridges.



## Ordering information

1. Housing		P6010 Code
Housing		P6010
2. COAX® cartridge modules		P6010 code
COAX® cartridge module blind x4		AA
a	COAX® cartridge module Pi48-3X1	AJ
a	COAX® cartridge module Pi48-3X2	AK
a	COAX® cartridge module Pi48-3X3	AL
a	COAX® cartridge module Pi48-3X4	AM
b	COAX® cartridge module Pi48-3X1, non-return valve	AN
b	COAX® cartridge module Pi48-3X2, non-return valve	AO
b	COAX® cartridge module Pi48-3X3, non-return valve	AP
b	COAX® cartridge module Pi48-3X4, non-return valve	AQ
a	COAX® cartridge module Si32-3X1	AB
a	COAX® cartridge module Si32-3X2	AC
a	COAX® cartridge module Si32-3X3	AD
a	COAX® cartridge module Si32-3X4	AE
b	COAX® cartridge module Si32-3X1, non-return valve	AF
b	COAX® cartridge module Si32-3X2, non-return valve	AG
b	COAX® cartridge module Si32-3X3, non-return valve	AH
b	COAX® cartridge module Si32-3X4, non-return valve	AI
a	COAX® cartridge module Si32-3X1, 1x flap valve	BB
a	COAX® cartridge module Si32-3X2, 1x flap valve	BC
a	COAX® cartridge module Si32-3X3, 1x flap valve	BD
a	COAX® cartridge module Si32-3X4, 1x flap valve	BE
a	COAX® cartridge module Xi40-3X1	AR
a	COAX® cartridge module Xi40-3X2	AS
a	COAX® cartridge module Xi40-3X3	AT
a	COAX® cartridge module Xi40-3X4	AU
b	COAX® cartridge module Xi40-3X1, non-return valve	AV
b	COAX® cartridge module Xi40-3X2, non-return valve	AW
b	COAX® cartridge module Xi40-3X3, non-return valve	AX
b	COAX® cartridge module Xi40-3X4, non-return valve	AY
a	COAX® cartridge module Xi40-3X1, 1x flap valve	BJ
a	COAX® cartridge module Xi40-3X2, 1x flap valve	BK
a	COAX® cartridge module Xi40-3X3, 1x flap valve	BL
a	COAX® cartridge module Xi40-3X4, 1x flap valve	BM

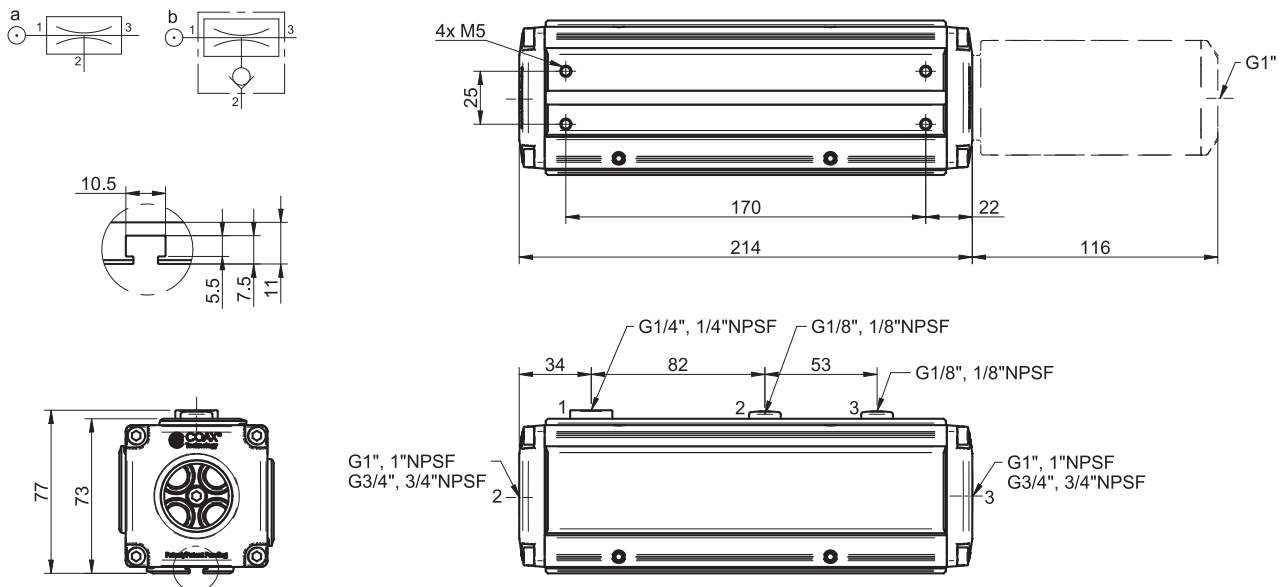
3. Mounting	P6010 Code
Mounting T-slot, Cover plate with PIAB label	01

4. Select Cover plate and Function	P6010 Code
Cover plate G thread connections, cover plate plain	LA
Cover plate NPSF thread connections, cover plate plain	LJ
Cover plate Classic G thread connections, cover plate plain	LI
Cover plate Classic NPSF thread connections, cover plate plain	LK
Function PCC Vacuum, cover plate G thread connections	LB
Function PCC Blow, cover plate G thread connections	LR
Function PCC Blow, cover plate NPSF thread connections	LS
Function PCC Vacuum, cover plate NPSF thread connections	LT
Function AVM™2 NO, cover plate G thread connections	LU
Function AVM™2 NC, cover plate G thread connections	LV
Function AVM™2 NO, cover plate NPSF thread connections	LW
Function AVM™2 NC, cover plate NPSF thread connections	LX
Function CU NC, cover plate G thread connections	LY
Function CU NC, cover plate NPSF thread connections	LZ

AVM™2 NO = Normally open valve for vacuum on/off, AVM™2 NC = Normally closed valve for vacuum on/off. CU NC = Normally closed valve for vacuum on/off. For detailed information on Classic plate, PCC, AVM™2 and CU, see separate datasheets.

5. Select Connections for vacuum and exhaust	P6010 Code
Connections 2x G1"	51
Connections 2x G1", silencer 1"	52
Connections 2x G3/4"	53
Connections 2x G3/4", silencer 3/4"	54
Connections 2x 1" NPSF	55
Connections 2x 1" NPSF, silencer 1"	56
Connections 2x 3/4" NPSF	57
Connections 2x 3/4" NPSF, silencer 3/4"	58

Example	Ordering number
P6010 Pi48-3X1, Mounting T-slot, Cover plate G-threads, Connections 2x G1" and silencer 1"	P6010 AJ 01 LA 52



Medium

### Ordering information, accessories

Description	Art. No.
Silencer G1"	0112499
Silencer 1" NPSF	0113003
Manometer 250 kPa	0112533
Manometer 1 MPa	0112532