

## P6040



- ▶ Patented COAX® technology.
- ▶ Available with a three-stage COAX® cartridge MIDI. Choose an Si cartridge for extra vacuum flow, a Pi cartridge for high performance at low feed pressure or an Xi cartridge when high flow and deep vacuum is needed.
- ▶ Substantially lower air consumption.
- ▶ Modular design for flexible performance.
- ▶ Compact and durable with no moving parts.

### Technical data

Description	Unit	Value
Feed pressure, max	MPa	0.7
Noise level	dBA	57-76
Temperature range	°C	-10-80
Weight	g	4300-5600
Material		Al, PA, NBR, SS, POM, HDPE

### Vacuum flow

COAX® cartridge	Feed pressure MPa	Air consumption NI/s	Vacuum flow (NI/s) at different vacuum levels (-kPa)										Max vacuum -kPa
			0	10	20	30	40	50	60	70	80	90	
Pi48-3	0.30	2.0	5.6	2.5	1.8	1.1	0.65	0.50	0.35	0.25	0.10	—	90/53*
Si32-3	0.60	1.75	6.0	3.5	2.6	1.7	0.90	0.60	0.50	0.35	—	—	75/52*
Xi40-3	0.45	1.83	5.9	3.0	2.0	1.3	0.73	0.58	0.43	0.32	0.18	0.03	95/51*

Values for one COAX® cartridge. Multiply with number of cartridges. For vacuum flows at other feed pressures, see section Vacuum cartridges/integration.

\* COAX® cartridge module, 1x flap valve

### Evacuation time

COAX® cartridge	Feed pressure MPa	Air consumption NI/s	Evacuation time (s/l) to reach different vacuum levels (-kPa)										Max vacuum -kPa
			10	20	30	40	50	60	70	80	90		
Pi48-3	0.30	2.0	0.020	0.060	0.12	0.25	0.45	0.70	1.0	1.6	4.0	90/53*	
Si32-3	0.60	1.75	0.020	0.050	0.10	0.18	0.33	0.53	0.80	—	—	75/52*	
Xi40-3	0.45	1.83	0.022	0.062	0.12	0.22	0.37	0.57	0.84	1.2	2.2	95/51*	

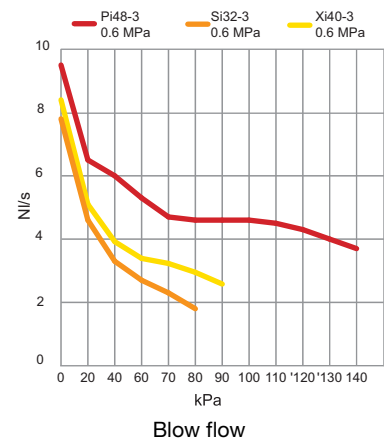
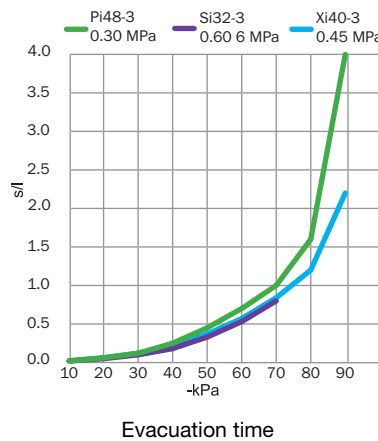
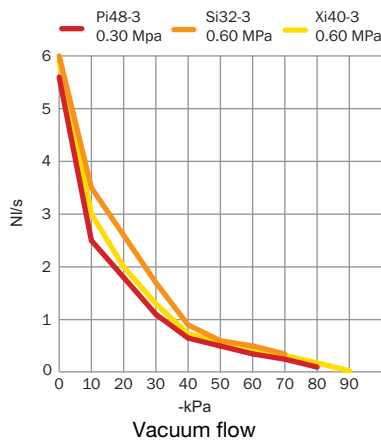
Values for one COAX® cartridge. Divide with number of cartridges. For evacuation times at other feed pressures, see section Vacuum cartridges/integration.

\* COAX® cartridge module, 1x flap valve

### Blow flow

COAX® cartridge	Feed pressure MPa	Air consumption NI/s	Blow flow (NI/s) at different pressure levels (kPa)												Max pressure kPa
			0	20	40	60	70	80	90	100	110	120	130	140	
Pi48-3	0.6	3.55	9.5	6.5	6.0	5.3	4.7	4.6	4.6	4.6	4.5	4.3	4.0	3.7	140
Si32-3	0.6	1.75	7.8	4.6	3.3	2.7	2.3	1.8	—	—	—	—	—	—	80
Xi40-3	0.6	2.33	8.4	5.1	3.92	3.39	3.23	2.95	2.58	—	—	—	—	—	90

Values for one COAX® cartridge. Multiply with number of cartridges.



## Ordering information

1. Housing		P6040 Code
Housing P6040		P6040
2. Select Application type		P6040 Code
P6040 Blow		B
P6040 Vacuum		V
3. COAX® cartridge modules		P6040 Code
a	COAX® cartridge module Pi48-3X5	AA
a	COAX® cartridge module Pi48-3X6	AB
a	COAX® cartridge module Pi48-3X7	AC
a	COAX® cartridge module Pi48-3X8	AD
a	COAX® cartridge module Pi48-3X9	AE
a	COAX® cartridge module Pi48-3X10	AF
a	COAX® cartridge module Pi48-3X11	AG
a	COAX® cartridge module Pi48-3X12	AH
a	COAX® cartridge module Pi48-3X13	AI
a	COAX® cartridge module Pi48-3X14	AJ
a	COAX® cartridge module Pi48-3X15	AK
a	COAX® cartridge module Pi48-3X16	AL
b	COAX® cartridge module Pi48-3X5, non-return valve	AM
b	COAX® cartridge module Pi48-3X6, non-return valve	AN
b	COAX® cartridge module Pi48-3X7, non-return valve	AO
b	COAX® cartridge module Pi48-3X8, non-return valve	AP
b	COAX® cartridge module Pi48-3X9, non-return valve	AQ
b	COAX® cartridge module Pi48-3X10, non-return valve	AR
b	COAX® cartridge module Pi48-3X11, non-return valve	AS
b	COAX® cartridge module Pi48-3X12, non-return valve	AT
b	COAX® cartridge module Pi48-3X13, non-return valve	AU
b	COAX® cartridge module Pi48-3X14, non-return valve	AV
b	COAX® cartridge module Pi48-3X15, non-return valve	AW
b	COAX® cartridge module Pi48-3X16, non-return valve	AX
c	COAX® cartridge module Pi48-3X5, 1x flap valve	AY
c	COAX® cartridge module Pi48-3X6, 1x flap valve	AZ
c	COAX® cartridge module Pi48-3X7, 1x flap valve	BA
c	COAX® cartridge module Pi48-3X8, 1x flap valve	BB
c	COAX® cartridge module Pi48-3X9, 1x flap valve	BC
c	COAX® cartridge module Pi48-3X10, 1x flap valve	BD
c	COAX® cartridge module Pi48-3X11, 1x flap valve	BE
c	COAX® cartridge module Pi48-3X12, 1x flap valve	BF
c	COAX® cartridge module Pi48-3X13, 1x flap valve	BG
c	COAX® cartridge module Pi48-3X14, 1x flap valve	BH
c	COAX® cartridge module Pi48-3X15, 1x flap valve	BI
c	COAX® cartridge module Pi48-3X16, 1x flap valve	BJ
a	COAX® cartridge module Si32-3X5	BK
a	COAX® cartridge module Si32-3X6	BL
a	COAX® cartridge module Si32-3X7	BM
a	COAX® cartridge module Si32-3X8	BN

	<b>3. COAX® cartridge modules</b>	<b>P6040 Code</b>
a	COAX® cartridge module Si32-3X9	BO
a	COAX® cartridge module Si32-3X10	BP
a	COAX® cartridge module Si32-3X11	BQ
a	COAX® cartridge module Si32-3X12	BR
a	COAX® cartridge module Si32-3X13	BS
a	COAX® cartridge module Si32-3X14	BT
a	COAX® cartridge module Si32-3X15	BU
a	COAX® cartridge module Si32-3X16	BV
b	COAX® cartridge module Si32-3X5, non-return valve	BW
b	COAX® cartridge module Si32-3X6, non-return valve	BX
b	COAX® cartridge module Si32-3X7, non-return valve	BY
b	COAX® cartridge module Si32-3X8, non-return valve	BZ
b	COAX® cartridge module Si32-3X9, non-return valve	CA
b	COAX® cartridge module Si32-3X10, non-return valve	CB
b	COAX® cartridge module Si32-3X11, non-return valve	CC
b	COAX® cartridge module Si32-3X12, non-return valve	CD
b	COAX® cartridge module Si32-3X13, non-return valve	CE
b	COAX® cartridge module Si32-3X14, non-return valve	CF
b	COAX® cartridge module Si32-3X15, non-return valve	CG
b	COAX® cartridge module Si32-3X16, non-return valve	CH
c	COAX® cartridge module Si32-3X5, 1x flap valve	CI
c	COAX® cartridge module Si32-3X6, 1x flap valve	CJ
c	COAX® cartridge module Si32-3X7, 1x flap valve	CK
c	COAX® cartridge module Si32-3X8, 1x flap valve	CL
c	COAX® cartridge module Si32-3X9, 1x flap valve	CM
c	COAX® cartridge module Si32-3X10, 1x flap valve	CN
c	COAX® cartridge module Si32-3X11, 1x flap valve	CO
c	COAX® cartridge module Si32-3X12, 1x flap valve	CP
c	COAX® cartridge module Si32-3X13, 1x flap valve	CQ
c	COAX® cartridge module Si32-3X14, 1x flap valve	CR
c	COAX® cartridge module Si32-3X15, 1x flap valve	CS
c	COAX® cartridge module Si32-3X16, 1x flap valve	CT
a	COAX® cartridge module Xi40-3X5	CU
a	COAX® cartridge module Xi40-3X6	CV
a	COAX® cartridge module Xi40-3X7	CW
a	COAX® cartridge module Xi40-3X8	CX
a	COAX® cartridge module Xi40-3X9	CY
a	COAX® cartridge module Xi40-3X10	CZ
a	COAX® cartridge module Xi40-3X11	DA
a	COAX® cartridge module Xi40-3X12	DB
a	COAX® cartridge module Xi40-3X13	DC
a	COAX® cartridge module Xi40-3X14	DD
a	COAX® cartridge module Xi40-3X15	DE
a	COAX® cartridge module Xi40-3X16	DF
b	COAX® cartridge module Xi40-3X5, non-return valve	DG
b	COAX® cartridge module Xi40-3X6, non-return valve	DH
b	COAX® cartridge module Xi40-3X7, non-return valve	DI
b	COAX® cartridge module Xi40-3X8, non-return valve	DJ
b	COAX® cartridge module Xi40-3X9, non-return valve	DK
b	COAX® cartridge module Xi40-3X10, non-return valve	DL
b	COAX® cartridge module Xi40-3X11, non-return valve	DM
b	COAX® cartridge module Xi40-3X12, non-return valve	DN
b	COAX® cartridge module Xi40-3X13, non-return valve	DO
b	COAX® cartridge module Xi40-3X14, non-return valve	DP
b	COAX® cartridge module Xi40-3X15, non-return valve	DQ
b	COAX® cartridge module Xi40-3X16, non-return valve	DR
c	COAX® cartridge module Xi40-3X5, 1x flap valve	DS
c	COAX® cartridge module Xi40-3X6, 1x flap valve	DT
c	COAX® cartridge module Xi40-3X7, 1x flap valve	DU
c	COAX® cartridge module Xi40-3X8, 1x flap valve	DV
c	COAX® cartridge module Xi40-3X9, 1x flap valve	DW
c	COAX® cartridge module Xi40-3X10, 1x flap valve	DX
c	COAX® cartridge module Xi40-3X11, 1x flap valve	DY
c	COAX® cartridge module Xi40-3X12, 1x flap valve	DZ
c	COAX® cartridge module Xi40-3X13, 1x flap valve	EA

Large

3. COAX® cartridge modules		P6040 Code
c	COAX® cartridge module Xi40-3X14, 1x flap valve	EB
c	COAX® cartridge module Xi40-3X15, 1x flap valve	EC
c	COAX® cartridge module Xi40-3X16, 1x flap valve	ED

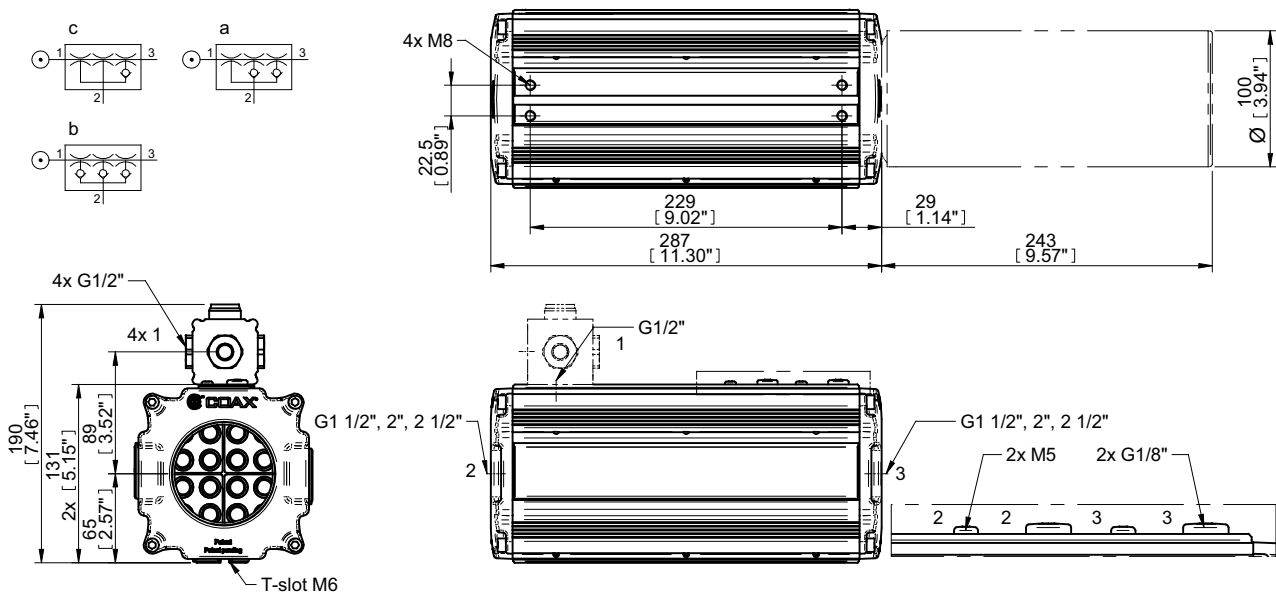
4. Mounting		P6040 Code
T-slot		00

5. Select Cover plate, function		P6040 Code
Connection G1/2"		AA
Connection 4x G1/2"		AB
Function V30		AC
Function ES Vacuum		AD
Function ES Blow		AE

For detailed information on V30, ES Vacuum and ES Blow, see separate datasheets.

6. Select Connections for vacuum and blow		P6040 Code
Connection G 1 1/2"		00
Connection G 2"		01
Connection G 2 1/2"		02
Connection G 1 1/2", silencer		03
Connection G 2", silencer		04
Connection G 2 1/2", silencer		05
Connection G 1 1/2", inlet silencer		06
Connection G 2", inlet silencer		07
Connection G 2 1/2", inlet silencer		08

Example	Ordering No.
P6040 Vacuum, Pi48-3X5, Mounting T-slot, Cover plate with 4 connections G1/2", Connection G 2 1/2" and silencer	P6040 V AA 00 AB 05
P6040 Vacuum, Pi48-3X5, Mounting T-slot, Cover plate with connection G1/2", Connection G 2 1/2" and silencer	P6040 V AA 00 AA 05



## Ordering information, accessories

Description	Art. No.
Manometer 250 kPa	3101626