

piCLASSIC Xi40-3



- ▶ Patented COAX® technology inside – the most energy efficient ejector technology.
- ▶ The Xi cartridge offers high flow at deep vacuum levels to 95 -kPa.
- ▶ Suitable for non-porous applications when deep vacuum level is needed.
- ▶ Large capacity range, available with 1 to 6 COAX® Xi40 three-stage cartridges. A smaller piCLASSIC can easily be upgraded with more capacity if needed.
- ▶ Low-weight, configurable and modular design.
- ▶ Easy disassembly for maintenance.

Technical data

Description	Unit	Value
Feed pressure, optimum	MPa	0.45
Feed pressure, max.	MPa	0.7
Max. vacuum	-kPa	95
Internal volume, vacuum chamber, 1-2 cartridges	cm ³	140
Internal volume, vacuum chamber, 3-4 cartridges	cm ³	246
Internal volume, vacuum chamber, 5-6 cartridges	cm ³	353
Noise level at 40 -kPa & optimal feed pressure	dBA	64-69
Temperature range	°C	-10-80
Materials		PA, Al, SS, NBR (FKM), CuZn

Technical data, specific

Weight	Value (g)
1-2 cartridges	500-550
3-4 cartridges	720-790
5-6 cartridges	795-875
Silencer	120
Vacuum gauge	50

Vacuum flow at recommended feed pressure (0.45 MPa)

COAX® cartridge	Air consumption NI/s	Vacuum flow (NI/s) at different vacuum levels (-kPa)									
		0	10	20	30	40	50	60	70	80	90
Xi40-3 x1	1.83	5.9	3.0	2.0	1.3	0.73	0.58	0.43	0.32	0.18	0.03
Xi40-3 x2	3.66	11.8	6.0	4.0	2.6	1.46	1.16	0.86	0.64	0.36	0.06
Xi40-3 x3	5.49	17.7	9.0	6.0	3.9	2.19	1.74	1.29	0.96	0.54	0.09
Xi40-3 x4	7.32	23.6	12.0	8.0	5.2	2.92	2.32	1.72	1.28	0.72	0.12
Xi40-3 x5	9.15	25.1	13.5	9.5	6.5	3.65	2.90	2.15	1.60	0.90	0.15
Xi40-3 x6	11.0	28.3	15.3	11.4	7.8	4.38	3.44	2.58	1.92	1.08	0.18

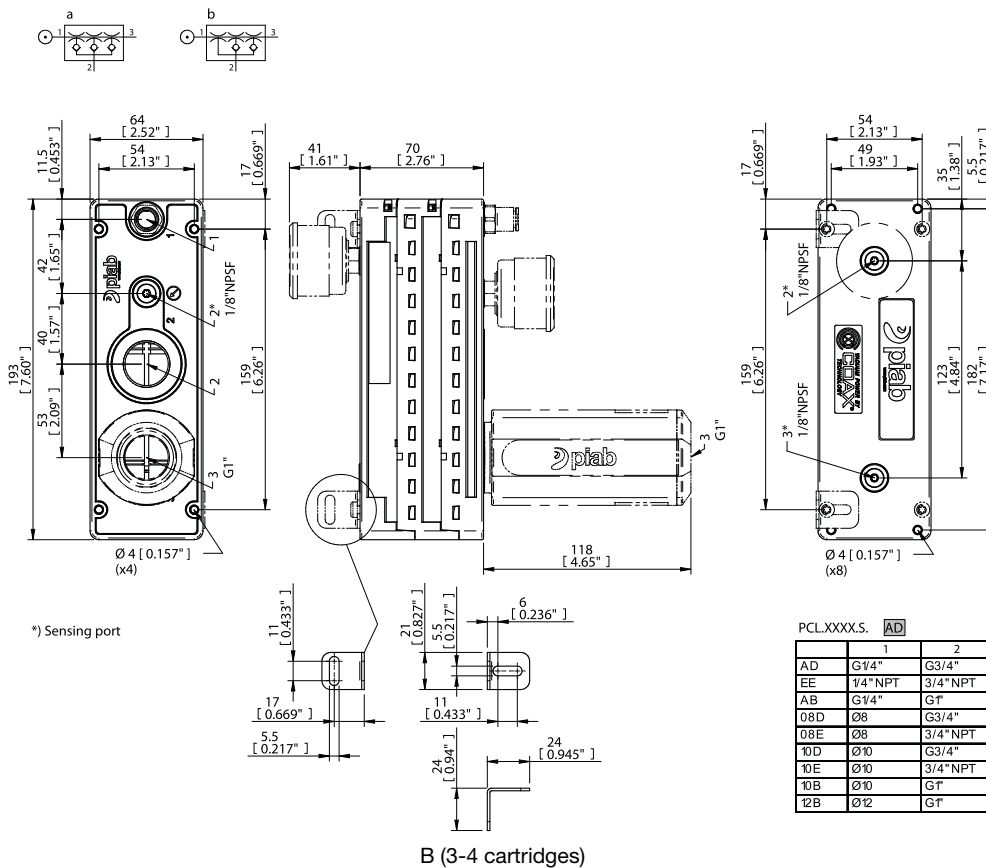
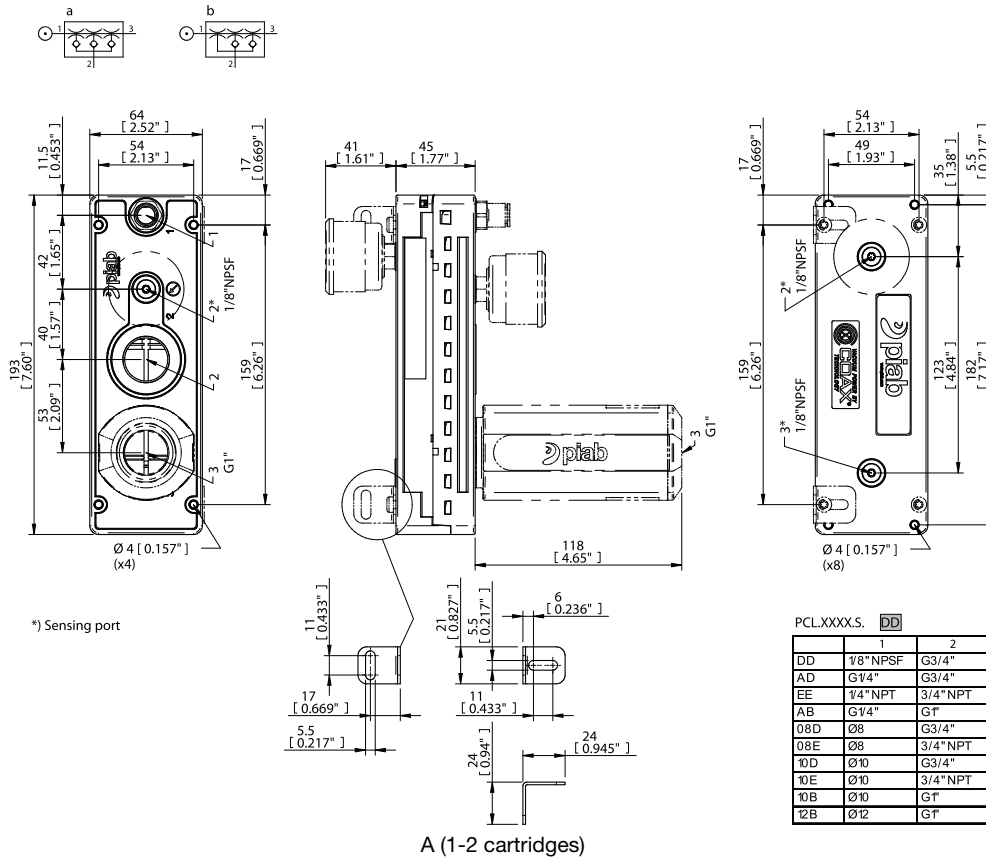
Evacuation time at recommended feed pressure (0.45 MPa)

COAX® cartridge	Air consumption NI/s	Evacuation time (s/l) to reach different vacuum levels (-kPa)								
		10	20	30	40	50	60	70	80	90
Xi40-3 x1	1.83	0.022	0.062	0.12	0.22	0.37	0.57	0.84	1.2	2.2
Xi40-3 x2	3.66	0.011	0.031	0.06	0.11	0.19	0.29	0.42	0.6	1.1
Xi40-3 x3	5.49	0.007	0.021	0.04	0.07	0.12	0.19	0.28	0.4	0.73
Xi40-3 x4	7.32	0.006	0.016	0.03	0.055	0.09	0.14	0.21	0.3	0.55
Xi40-3 x5	9.15	0.0044	0.012	0.024	0.044	0.07	0.11	0.17	0.24	0.44
Xi40-3 x6	11.0	0.004	0.010	0.020	0.040	0.06	0.10	0.14	0.20	0.37

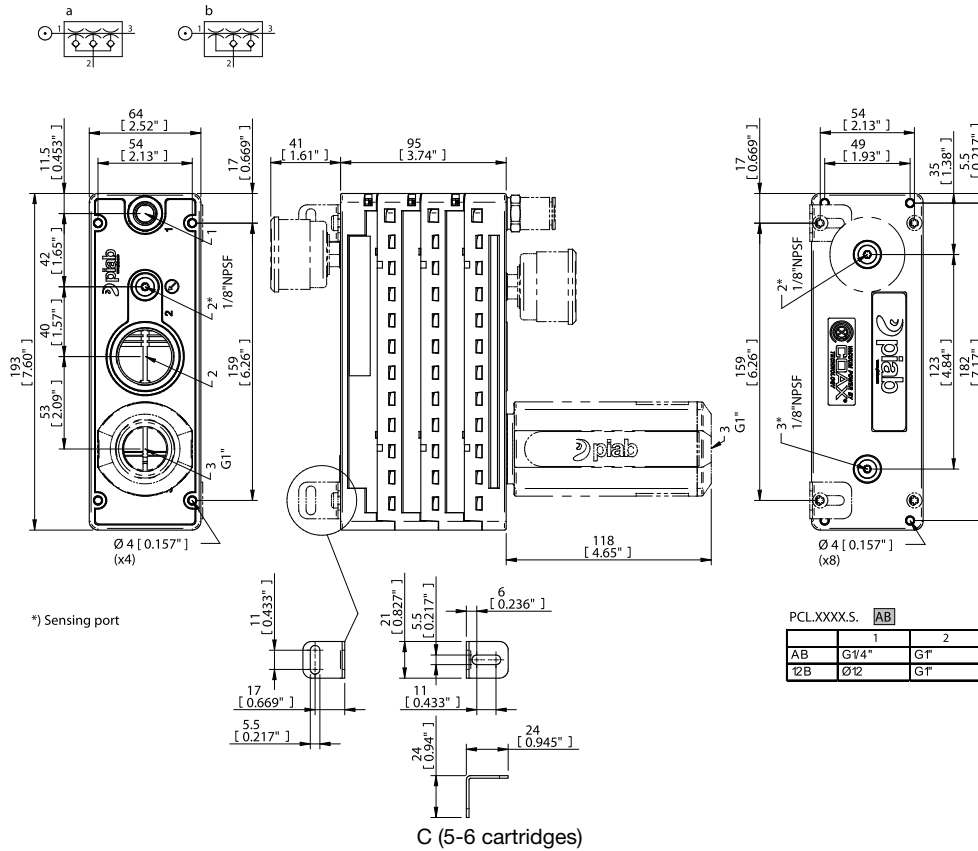
Ordering information

1. Housing		piCLASSIC Code
Housing		PCL
2a. COAX® cartridge modules		piCLASSIC Code
A	COAX® cartridge module Xi40-3x1	X1
A	COAX® cartridge module Xi40-3x2	X2
B	COAX® cartridge module Xi40-3x3	X3
B	COAX® cartridge module Xi40-3x4	X4
C	COAX® cartridge module Xi40-3x5	X5
C	COAX® cartridge module Xi40-3x6	X6
2b. Valve Configuration		piCLASSIC Code
a	Standard	B
b	Non-return valve	A
2c. Sealing material		piCLASSIC Code
Nitrile		N
Viton		V
3. Function		piCLASSIC Code
Standard		S
4a. Compressed air connection		piCLASSIC Code
G1/4" female		A
1/4" NPT female		E
1/8" NPSF (G) female		D
*Push-in 8 mm (5/32")-1/4" female		08
*Push-in 10 mm-1/4" female		10
*Push-in 12 mm-1/4" female		12
<i>*Compressed air push-in connector included separately.</i>		
4b. Vacuum connection		piCLASSIC Code
G3/4" female		D
3/4" NPT female		E
G1" female		B
5. Accessory		piCLASSIC Code
None		X
Silencer G1" male		S
Vacuum gauge		V
Silencer G1" male & vacuum gauge		SV
Example		Ordering number
piCLASSIC Xi40-3x1, Standard Valve, Nitrile Sealing, Function Standard, Connections Comp. Air G1/4" female- -Vacuum G3/4" female, Silencer G1" male & vacuum gauge		PCL.X1BN.S.AD.SV

Dimensional drawing for piCLASSIC Xi40-3



Dimensional drawing for piCLASSIC Xi40-3



Crossover Classic to piCLASSIC

Classic Art. No.	Classic Code No.	piCLASSIC Art. No.	piCLASSIC Code No.
0102133	M25B5-ADN	9904039	PCL.X1BN.S.08D.SV
0102184	M25B6-ADN	9904039	PCL.X1BN.S.08D.SV
0102135	M50B5-ADN	9904034	PCL.X2BN.S.08D.SV
0102113	M50B6-ADN	9904034	PCL.X2BN.S.08D.SV
0102137	M100B5-ADN	9904035	PCL.X3BN.S.08D.SV
0102115	M100B6-ADN	9904035	PCL.X3BN.S.08D.SV
0102136	M50B5-ADNA	9904053	PCL.X2AN.S.08D.SV
0102138	M100B5-ADNA	9904051	PCL.X3AN.S.08D.SV
0102031	M25B5-DN	9904044	PCL.X1BN.S.DD.SV
0100366	M25B6-DN	9904044	PCL.X1BN.S.DD.SV
0102033	M50B5-DN	9904041	PCL.X2BN.S.DD.SV
0100372	M50B6-DN	9904041	PCL.X2BN.S.DD.SV
0102035	M100B5-DN	0126065	piCLASSIC Xi x3, Connection plate DD
0100378	M100B6-DN	0126065	piCLASSIC Xi x3, Connection plate DD
0102411	M25B5-EN	9904038	PCL.X1BN.S.08E.SV
0102395	M25B6-EN	9904038	PCL.X1BN.S.08E.SV
0102413	M50B5-EN	9904036	PCL.X3BN.S.08E.SV
0102397	M50B6-EN	9904036	PCL.X2BN.S.08E.SV
0102415	M100B5-EN	9904037	PCL.X3BN.S.08E.SV
0102399	M100B6-EN	9904037	PCL.X3BN.S.08E.SV